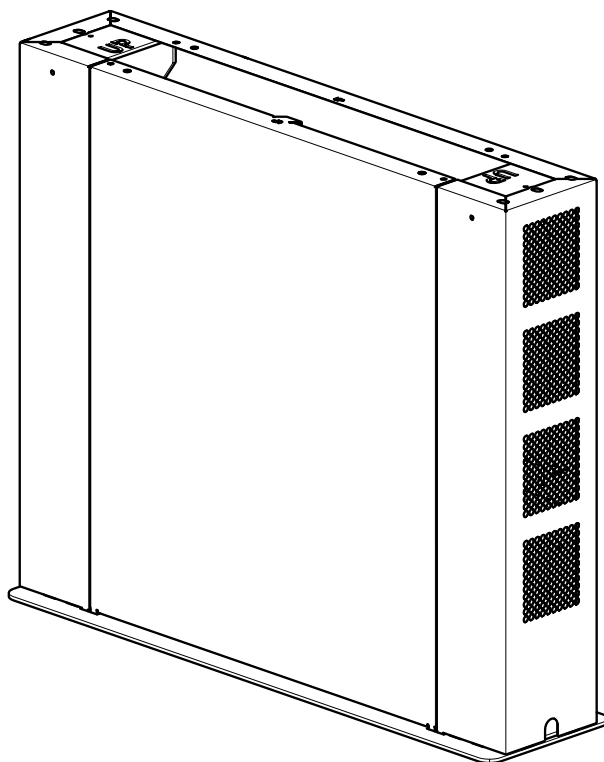


# Installation Guide

## SPDS1104

**SpacePole Indoor base unit: 730mm**

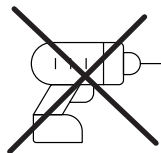
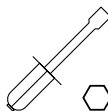
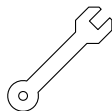




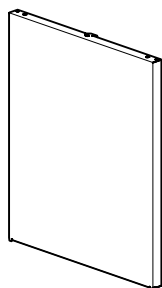
## CAUTION

- Please ensure that you read and understand the contents of the installation guide before you begin the installation process.
- This product must be installed by a professional installer. More than one person needs to be involved in the installation of this product.
- Do not to overtighten the fixings.
- The maximum weight limit for the hardware (screen, accessories etc.) for this solution is 25 kg. Do not exceed the stated weight limit.
- It is the responsibility of the installer to use the appropriate fixings for the specific installation location. Please follow the fixing suppliers recommendations for installation.
- This product is intended for indoor use only.
- This solution is designed for certified hardware and accessories. Always follow the installation guide from the hardware manufacturer for correct installation.
- The solution ventilation holes which need to remain clear and open at all times to ensure the operations of the screen.
- Please don't power the hardware, until the entire solution is fully assembled.
- If these installation instructions are not followed precisely, it could lead to product failure and potential personal injury.
- Ergonomic Solutions cannot be held responsible for any product failure or personal injury, if the installation instructions are not followed correctly.
- Ergonomic Solutions cannot be held responsible for any product failure or personal injury, if any modifications have been made to the product by the customer.

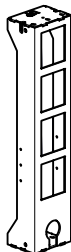
## Tool list



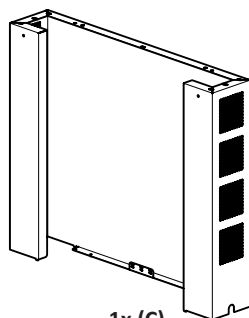
## Box content



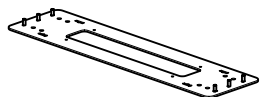
1x (A)



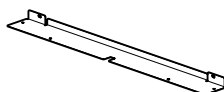
2x (B)



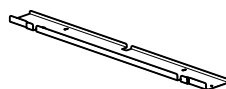
1x (C)



1x (D)



1x (E)



1x (F)



2x (M4x8)



6x (M6x12)



2x (M6x6)



6x (M8x20)



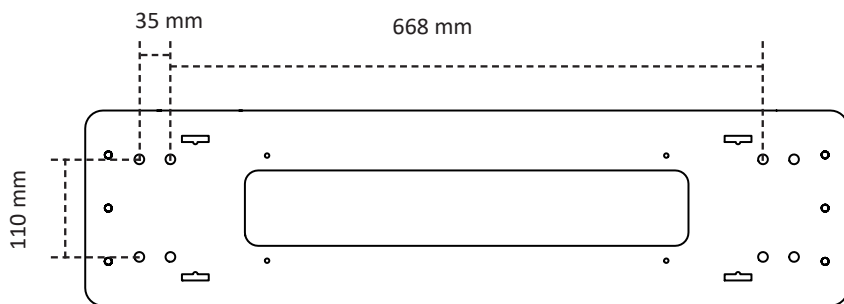
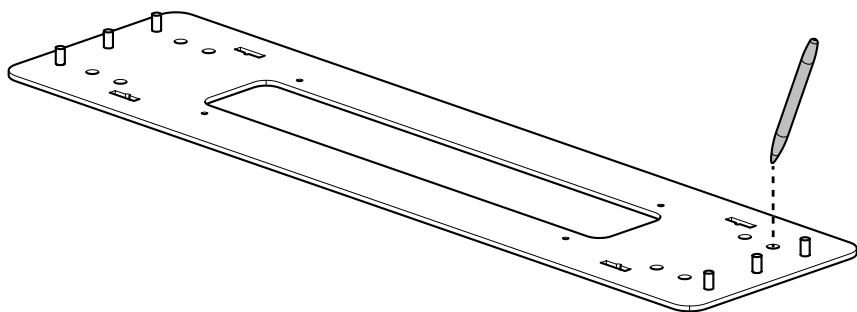
8x (M8 nuts)



2x (M8 washer)

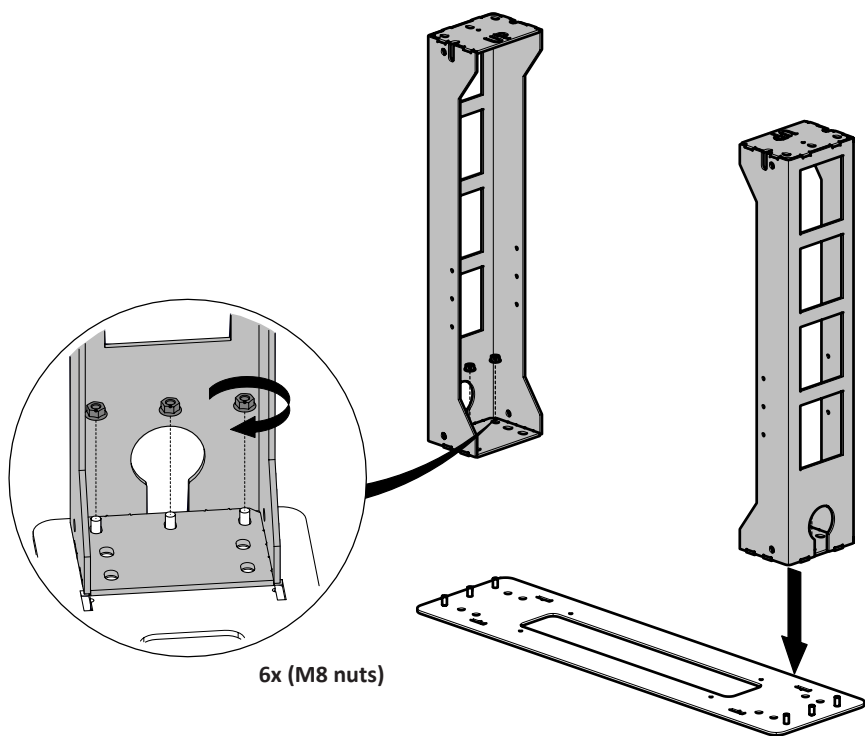
1

Position base on floor



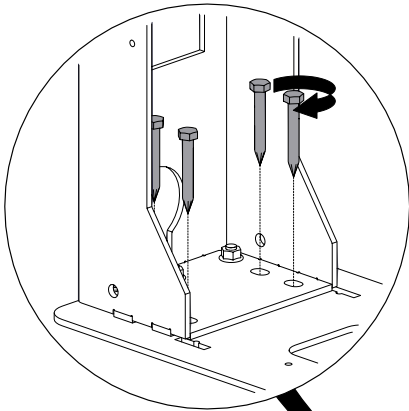
2

Mount pillars

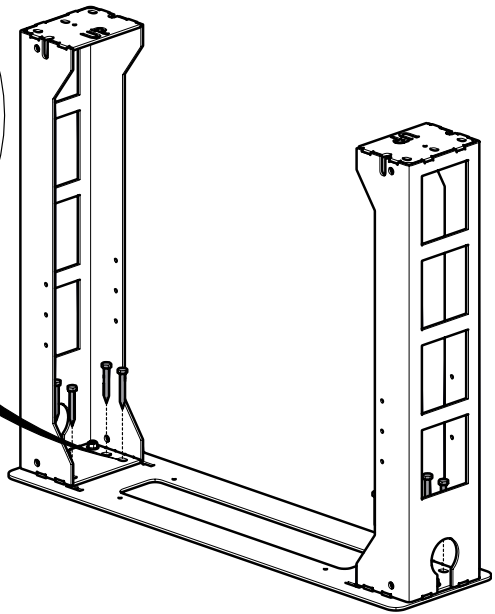


3

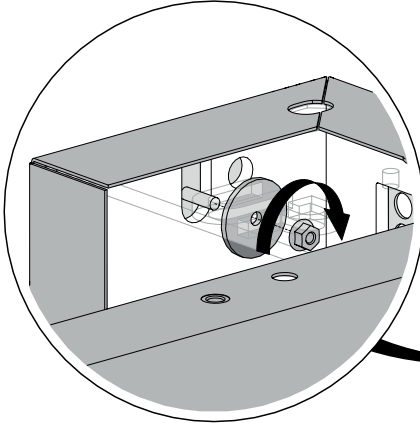
Mount base



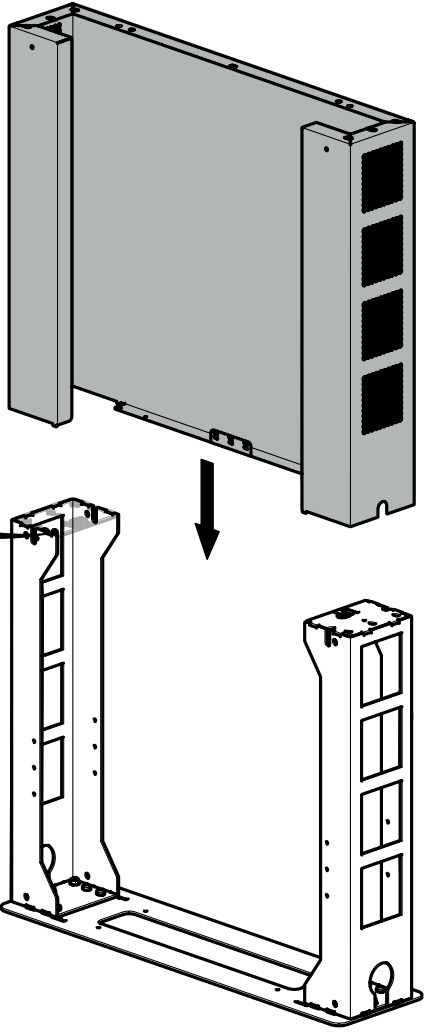
8x (Floor fixings)  
Not included



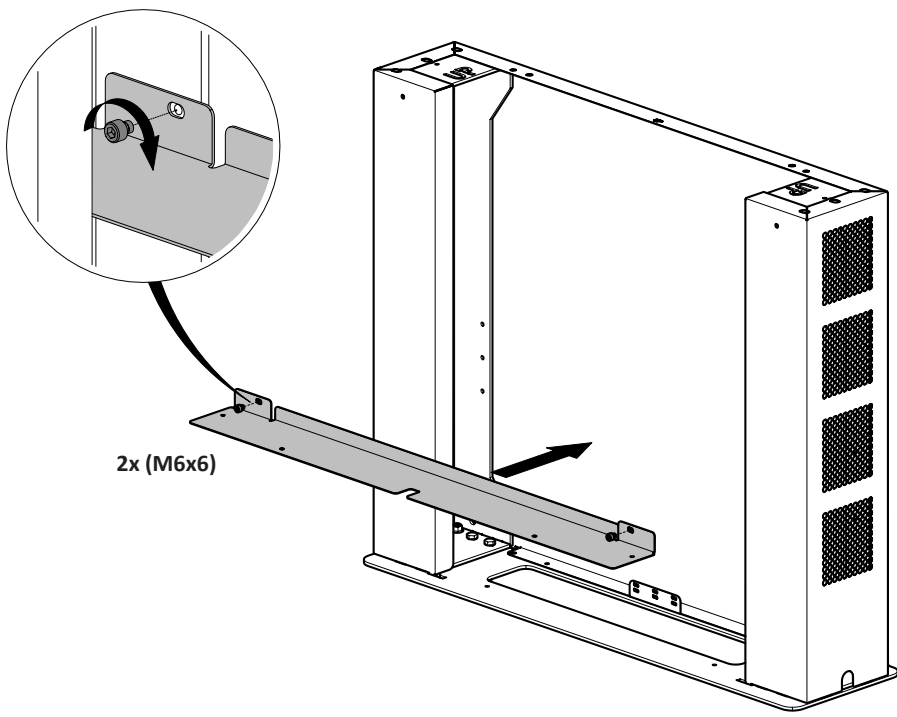
**4** Mount U-shaped cover



2x (M8 nuts)  
2x (M8 washers)



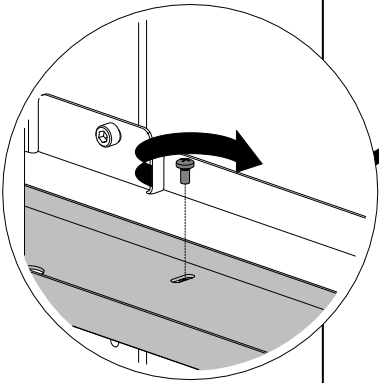
5 Mount Separator part 1



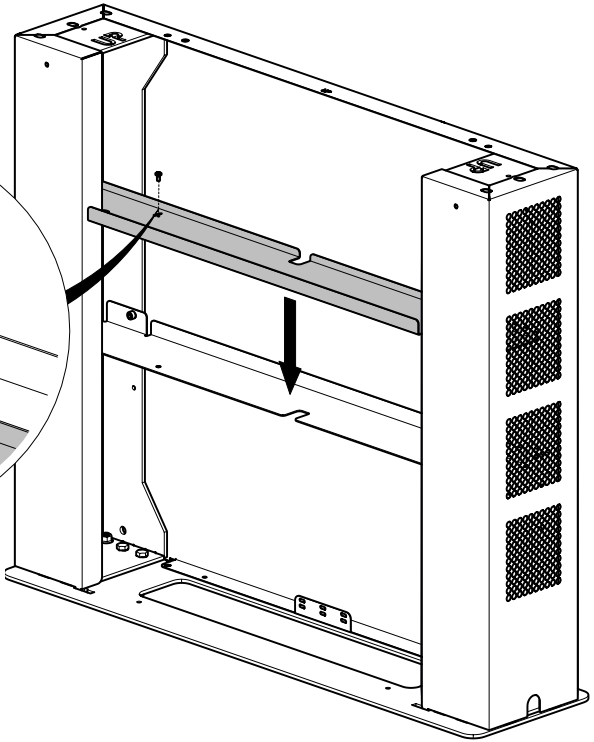
2x (M6x6)



**6** — Mount Separator part 2

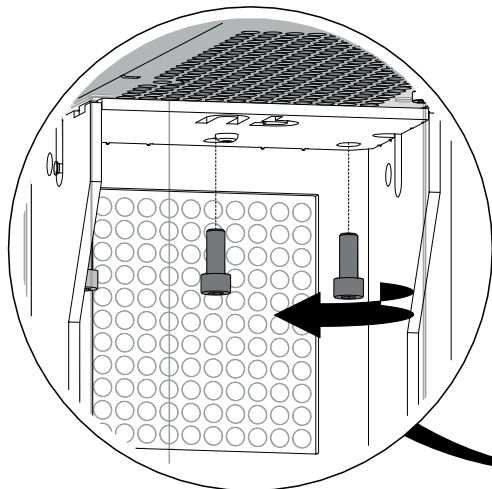


2x (M4x8)

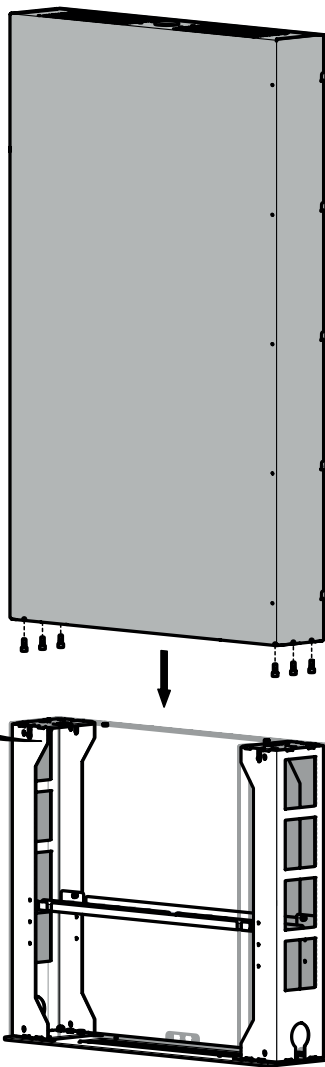


7

Mount indoor enclosure

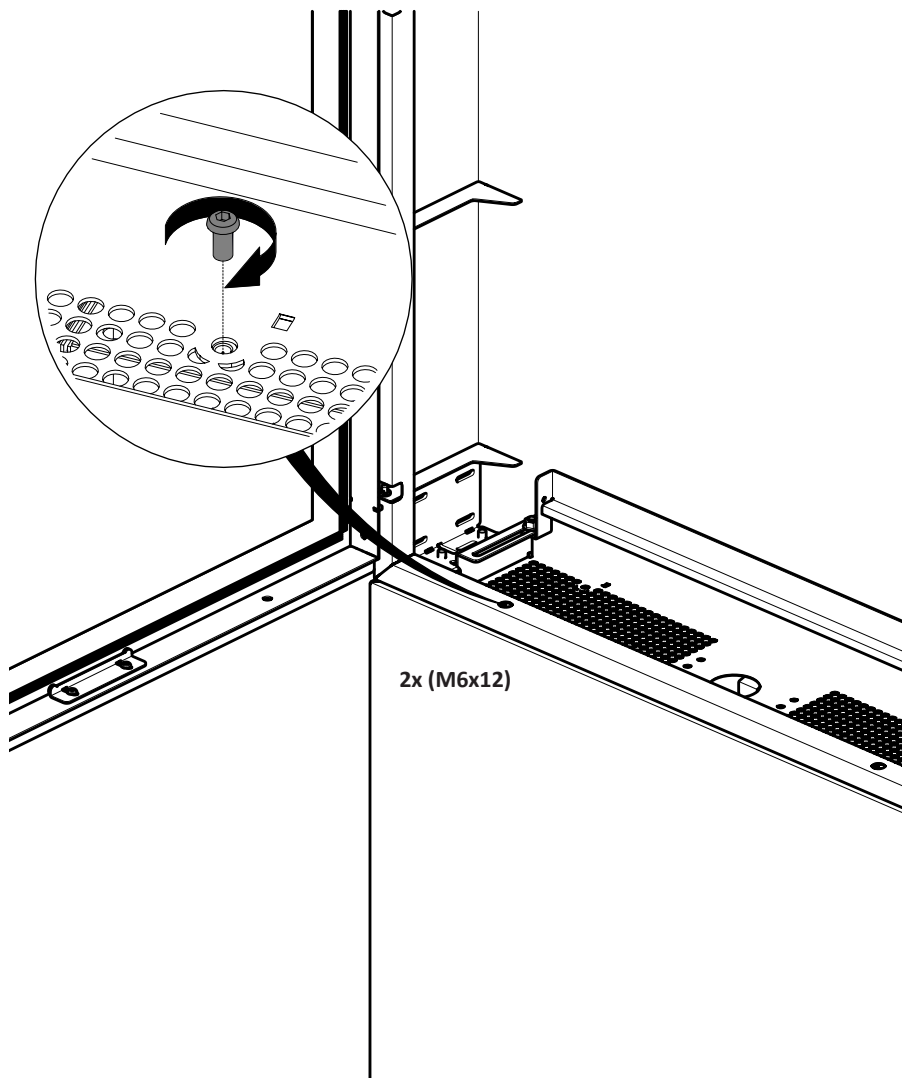


6x (M8x20)



8

Secure Indoor enclosure



2x (M6x12)

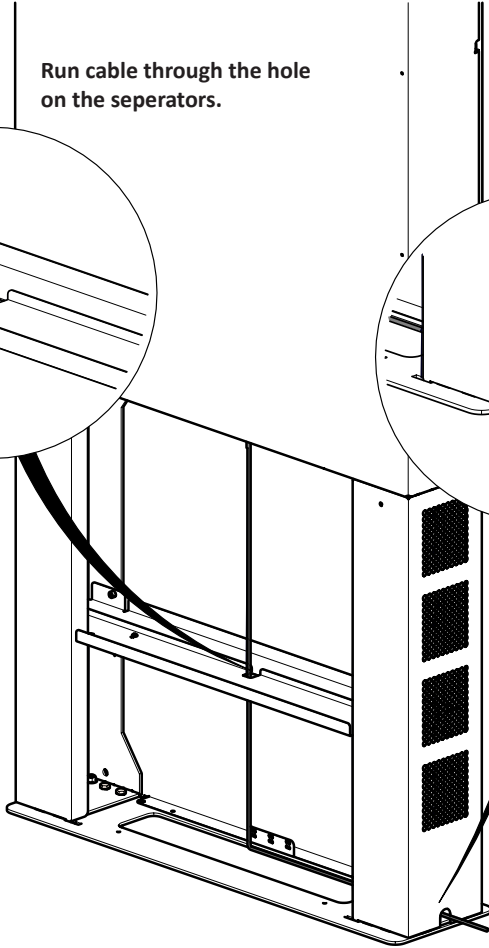
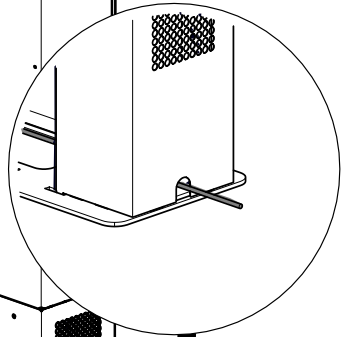
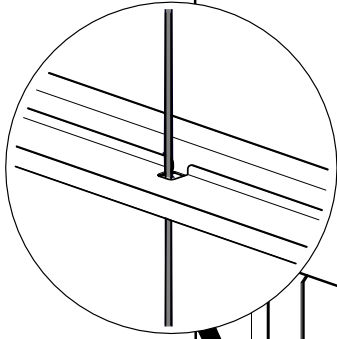


Open lid to get access.

9

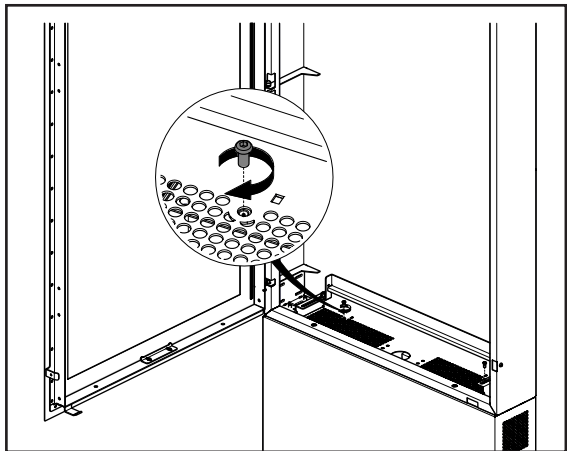
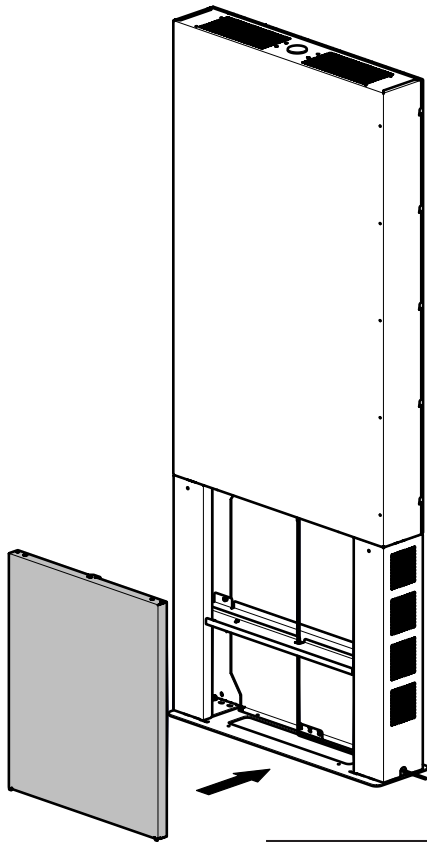
## Cable management

Run cable through the hole  
on the seperators.



Run cable out through the  
hole in the side.

**10** Mount back cover



2x (M6x12)  
Open lid to get access.





Need help? Contact us



[ergonomic.solutions/about/contact-us](https://ergonomic.solutions/about/contact-us)



[spacepole.com/about/contact-us](https://spacepole.com/about/contact-us)